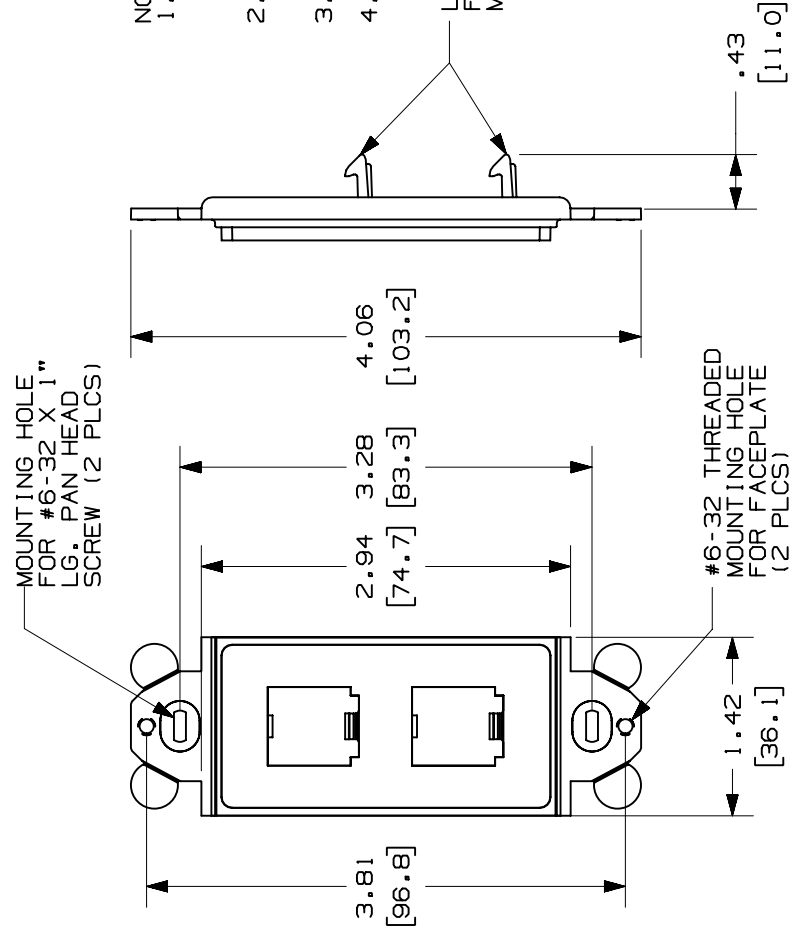
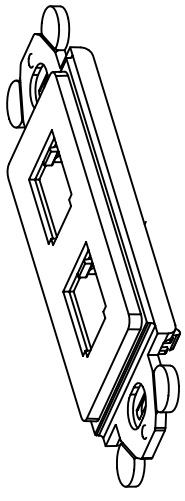


THIS COPY IS PROVIDED ON A RESTRICTED BASIS AND IS NOT TO BE USED IN ANY WAY DETRIMENTAL TO THE INTERESTS OF PANDUIT CORP.



- NOTES:**
- SEE CURRENT CATALOG FOR ADDITIONAL PART NUMBER SUFFIXES TO INDICATE COLOR AND OR PACKAGE QUANTITY.
 - SEE CATALOG FOR COMPLETE LIST OF PARTS APPLICABLE FOR USE WITH THIS PART.
 - DIMENSIONS IN PARENTHESES ARE IN METRIC.
 - (2) #6-32 X 1" PANHEAD SCREWS ARE SUPPLIED.



PANDUIT P/N	WEIGHT
CFG2**	.23 LB/10 PCS (106.0 g/10 PCS)

A
D

CAD FILENAME/LAYERS

M00021CA_DC_00D.PRT

PANDUIT		CORP. TINLEY PARK, ILLINOIS						
"GFCI" MODULE FRAME		TWO POSITION (CFG2**)						
CUSTOMER DRAWING		UNLESS OTHERWISE SPECIFIED, ALL DIMENSIONS ARE GIVEN IN INCHES, THIRD ANGLE PROJECTION.						
UNLESS OTHERWISE SPECIFIED, DIMENSIONAL TOLERANCES ARE:	(.X) ±	(.XXX) ±.010(.3)	(.XX) ±.03(.8) ANGLES ±					
DRAWN BY	RCA	MAT'L:	NONE					
DATE	7-28-97	DWG	00021-04					
CHECKED BY	CEF	SIZE	A					
REV	DATE	BY	CHK	DESCRIPTION	ECN	CHK	CUST	SUP
3	11-4-98	JSP		D. PART DID WEIGH 122.0 g/10 PCS. C. MATERIAL WAS ABS/PC, NOW IS JUST ABS.	00021-04			
2	9-12-97	RCA	CEF	B. REV'D TITLE WAS MINI-COM DECORA FRAME TWO POSITION.	00021-04	CEF		
1	8-26-97	JBA	CEF	A. REV'D # OF PIECES: WAS 100.	00021-04	CEF		
R	7-28-97	RCA	CEF	RELEASED TO PRODUCTION.	00021-04	CEF		